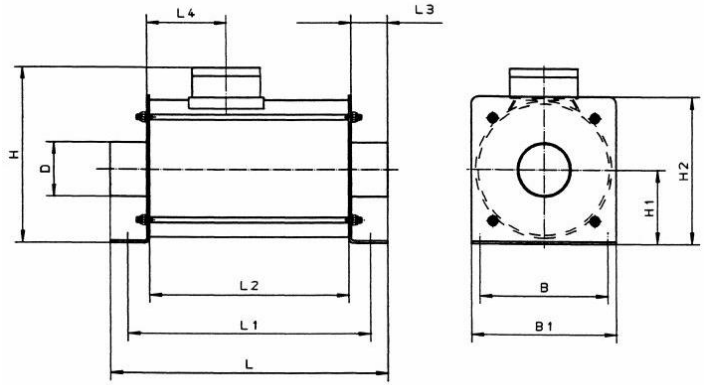


# Single-Phase-Blower WSVR 11/12

## WSVR 11 to use in one direction



	L	L1	L2	L3	L4	D	H	H1	H2	B	B1
<b>WSVR 11</b>	323	283	233	42	93	63	205	87	172	150	170

all figures in mm

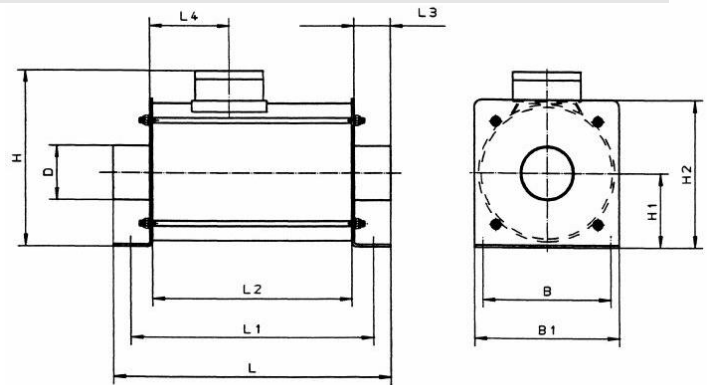
### Use

Only used for the transportation into one direction. The blower generates the air, which is necessary to operate a Pneumatic Tube System in suction- or in pressure mode. As soon as the sending process is finished, the blower disconnects automatically.

### Features

Rated output:	1,1 kW	Max. pressure:	230 mbar
Voltage:	230 V, 50/60 Hz	Noise level:	89 db A in 1 m distance
Pressure performance:	3,0 m <sup>3</sup> /min	Weight:	5,3 kg

## WSVR 12 for reversing operation



	L	L1	L2	L3	L4	D	H	H1	H2	B	B1
<b>WSVR 12</b>	425	385	335	42	170	63	205	87	172	150	170

all figures in mm

### Use

Used for the transportation in reversing operation. The blower generates the air, which is necessary to operate a Pneumatic Tube System in suction- and in pressure mode. As soon as the sending process is finished, the blower disconnects automatically.

### Features

Rated output:	2 motors with each 50/60 Hz 1,1 kW, for both directions	Max. pressure:	230 mbar
Voltage:	230 V	Noise level:	89 db A in 1 m distance
Pressure performance:	3,0 m <sup>3</sup> /min	Weight:	7,3 kg