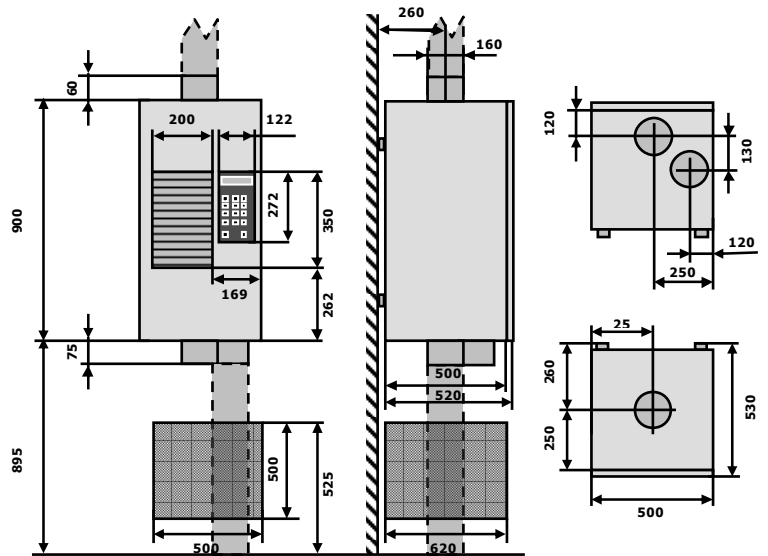


# GIGA-Station - AC 3000

160



### Use:

The GIGA-station is available for OD 160 only and serves as through-station or end-station with approach from above or below.

### Send:

Push the button to open the front-door, enter the destination number and place the carrier into the front-loading bay. The GIGA-station transports the stored carrier fully automatically to its destination.

### Receive:

Carrier arrives gently on an aircushion and are deposited in a sound-proof receptacle.

### Easy of Use:

	<b>AC 3000</b>
• Easy-to-reach and operate the loading bay in the front cover	✓
• The loading bay is normally closed as a security measure and opens by pushing a button	✓
• Sendespeicher ist aus Sicherheitsgründen verschlossen und wird für den Sendevorgang automatisch geöffnet	✓
• Display indicates destinations	<b>2-5 digits</b>
• By a scroll-function of the station-keyboard all users easily can be found	✓
• The ergonomically designed station-keyboard is protected against dust and dirt by a telephone-type membrane key pad t	✓
• 4 LEDs in the operation panel show the state of operation	✓
• Amount of arrival signals as a standard, this means that several users have access to the station, each of them gets it's own signal	<b>16</b>
• Several destination numbers can be assigned to one signal and several signals can be assigned to one destination. (Software-controlled).	✓
• Follow-me-function in case of absence, also temporary available	✓
• Special functions, like priority or slow transport can be assigned either to the station or to the destination number	✓
• Repetition control for several carriers to the same destination, optionally fix programmed or variable	✓
• The shutter of the loading bay is normally closed and opens by pushing a button to store a carrier.	✓
• Station is suitable for installation in niches, because all parts are easily accessible in front	✓
• The modern state-of-the-art technology provides a secure deceleration and ejection of heavy carriers on arrival.	✓
• Spacious integrated bypass	✓
• No air-exhaust at through stations. At end stations the air can be diverted (optional)	✓
• The integrated service mode allows extensive function tests at the station; direct feed back in the display	✓

© by Aerocom GmbH & Co. 2009 - Technical alterations reserved. K.Dokumentationen\_PDF/English/AC 3000/Datasheets/Stations

**aerocom**

Aerocom GmbH & Co  
Communicationsystems  
P.O. Box 10 02 13  
73514 Schwabisch Gmuend  
Germany

Phone +49.71 71.10 45 0  
Fax +49.71 71.10 45.2 99

info@aerocom.de  
www.aerocom.de

# GIGA-Station - AC 3000

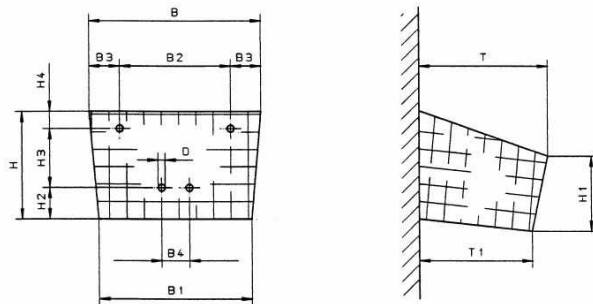
## Operation panel AC 3000



### Technique + Quality:

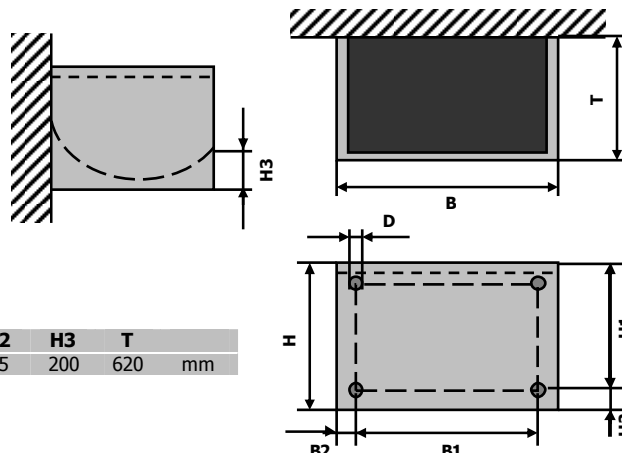
- Steel-plate housing with hinged door, colour RAL 7035
- Longlife proximity switches
- Electronically, software-controlled motor driver
- Industrial grade, heavy duty motors
- Movement by roller bearings
- Maintenance-free Teflon®- sealings
- Noiseless carrier transit
- Fully-electronic, maintenance-free microprocessor controls
- Integrated in the swivel door are operation panel, keyboard, display and electronic controls

### Accessories: Receiving baskets (lattice)



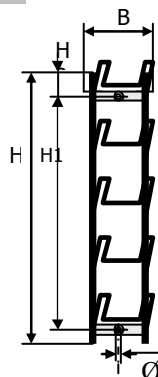
Art. No.		D	B	B1	B2	B3	B4	H	H1	H2	H3	H4	T	T1	
290 023	lacquered RAL 7035	10	500	442	350	75	50	458	400	65	335	58	612	588	mm

### Accessories: Receiving baskets (steel)



Art. No.	D	B	B1	B2	H	H1	H2	H3	T	
290 063	10	500	432	34	500	450	25	200	620	mm

### Accessories: Carrier rack



Art. No.		Ø	B	H	H1	H3	
290 093	chromed	7	200	845	630	115	mm