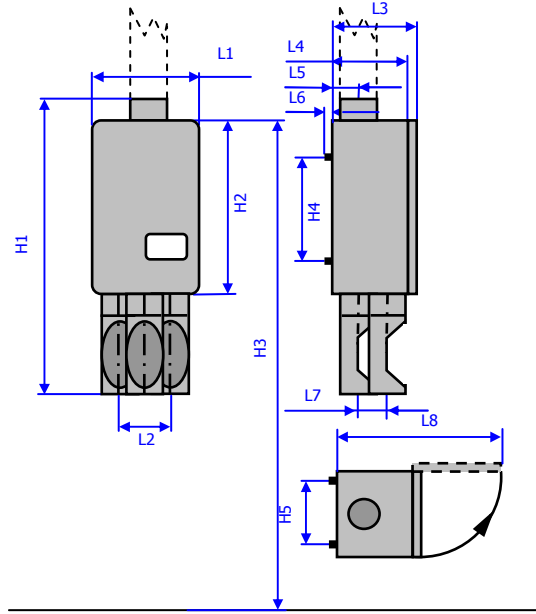


Multi Load Station - AC 1000 / 3000

110

160

200



OD	System	Article-No.	L1	L2	L3	L4	L5	L6	L7	L8	H1	H2	H3	H4	H5	Weight Kg	
110	AC 1000	100 705	312	170	272	242	85	15	85	555	1090	658	1500	390	250	mm	14,5
	AC 3000	100 725															
160	AC 1000	100 708	500	260	425	395	140	15	130	895	1405	900	1850	750	460	mm	40
	AC 3000	100 734															
200	AC 1000	100 709	603	332	632	603	301	4	166	1202	1815	1184	2000	885	520	mm	46
	AC 3000	100 733															

Use:

The Multi load station is basically used as a sending station for 3 carriers. Several storage units can be arranged side by side. The dispatch tube must be connected from top.

Send:

The multi load station sends stored carriers automatically to the desired destinations.

Receive:

For receiving it is recommended to use a separate station (for example OE, EWS or OES)

Easy of use:

	AC 1000	AC 3000
• Three open storages for automatic departure. Carriers can be stored at any time, independent of the state of operation of the system !	√	√
• Display indicates the destination numbers	2-4 digits	2-5 digits
• Graphical Display indicates users and special functions		√
• The ergonomically designed station-keyboard is protected against dust and dirt by a telephone-type membrane key pad	√	√
• LEDs in the operation panel show the state of operation	3	4
• Special functions, like priority or slow transport can be assigned either to the station or to the destination number		√
• Repetition control for several carriers to the same destination	√	√
• The station lends itself to be installed in niches, as all station parts are easily accessible	√	√
• An integrated service mode allows extensive function tests at the station; direct feed back in the display	√	√

© by Aerocom GmbH & Co. 2011 - Technical Alterations reserved. K:\Dokumentationen_PDF\English\AC 1000\Datasheets\Stations

aerocom

Aerocom GmbH & Co
 Communicationsystems
 P.O. Box 10 02 13
 73514 Schwaebisch Gmuend
 Germany

Phone +49.71 71.10 45 0
 Fax +49.71 71.10 45.2 99

info@aerocom.de
 www.aerocom.de

Multi Load Station - AC 1000 / 3000



Operation panel
AC 1000

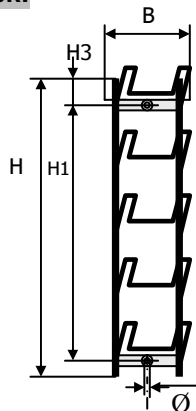
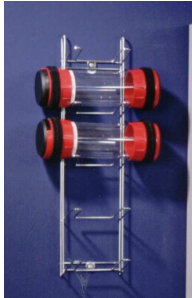


Operation panel
AC 3000 →

Technique + Quality:

- Driven by a noiseless transmitted, maintenance-free cog belt, through this the S-tube can be exactly adjusted
- Steel box with swivel door, made of Polystyron , colour RAL 7035
- Proximity switches
- Electronically, software-controlled motor driver
- Industrial grade, heavy duty motor
- Rotation by roller bearings
- Maintenance-free Teflon®-Sealrings Fully-electronic
- Fully-electronic, maintenance-free microprocessor controls
- Integrated in the swivel door are operation panel, keyboard, display and electronic controls

Accessories: Carrier rack:



Art.No.		Ø	B	H	H1	H3	
290 091	Lacquered	5,5	144	576	485	70	mm
290 092	chromed						